



FIRESTOP CENTRE

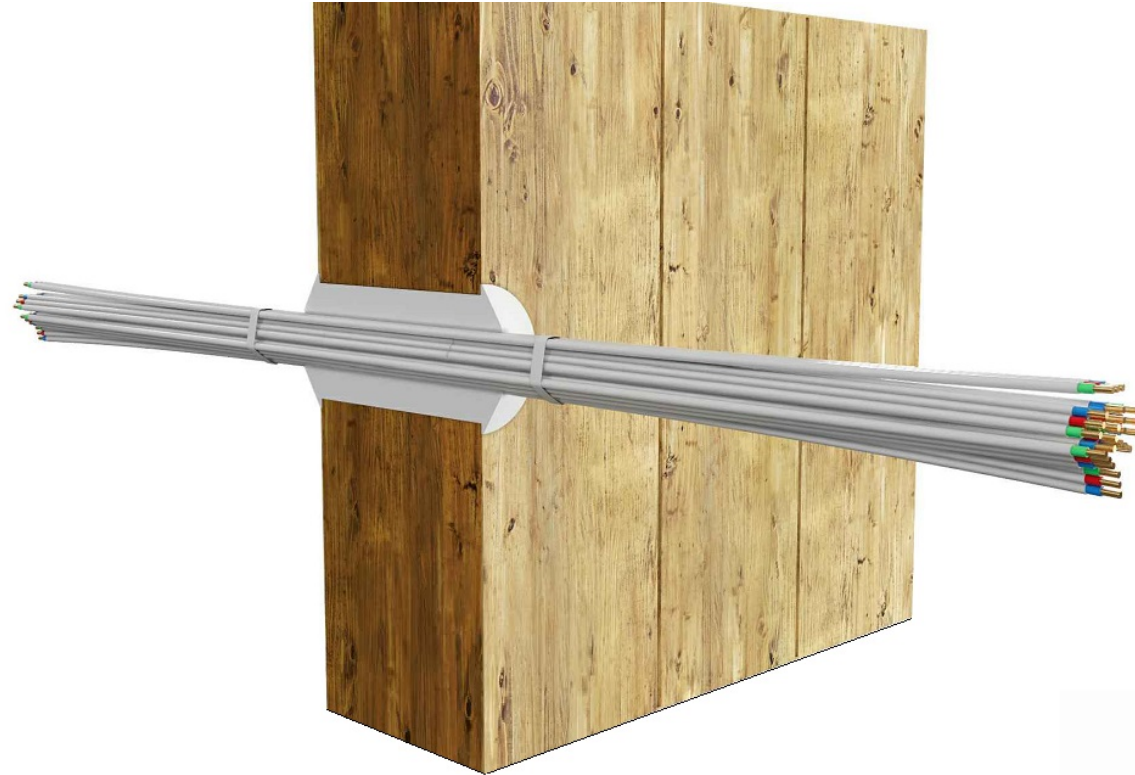
Authorised New Zealand Distributor
Ph (09) 483 4000 www.firestopcentre.co.nz

AGNI-Seal in 100mm CLT Wall Up to 8 TPS Cables in a bundle FRR -/60/60

System ID# 841

Step-by-step installation instructions:

1. Ensure the aperture is free from dust and debris.
2. Fill the aperture between CLT and the service to the full depth of the CLT wall with AGNI-Seal allowing a 10mm x 10mm cone on both sides.



Technical Information

Substrate	Min. 100mm CLT wall
Service	Up to 8 x TPS cable bundle
Annular gap	10.34mm - 12.73mm
AGNI-Products	AGNI-Seal
Protection installation	Both sides of the wall

Compliance Information

Standards	AS1530.4-2014, AS4072.1-2005
FRR/FRL	-/60/60
Reference	RIRF24086 (Fire 93)



Agnitek
FIRE RATED TECHNOLOGY

8 Clare St Bayswater
VIC 3153, AUSTRALIA
www.agnitek.com.au

Disclaimer

Agnitek reserves the right to modify product specifications without prior notice due to its ongoing research, development & certification programme. The information in this document is provided in good faith and is intended for guidance purposes only. Any accompanying drawings are solely for illustrative purposes. Since Agnitek cannot oversee installation methods or ensure site conditions, no warranties, expressed or implied, are intended regarding the products' actual performance. We do not accept liability for any loss, damage, or injury from using this information. Please take a look at the test reports displayed on a relevant AGNI-System webpage for all compliance specifics.

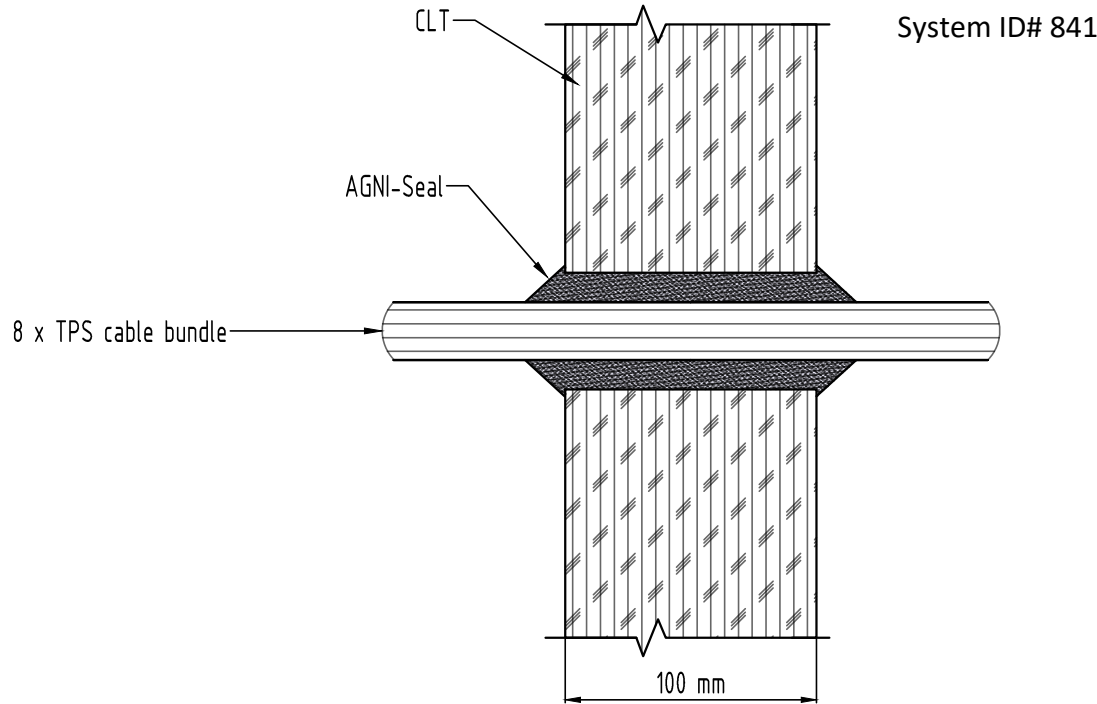
Date	30.08.2024
------	------------



FIRESTOP CENTRE

Authorised New Zealand Distributor
Ph (09) 483 4000 www.firestopcentre.co.nz

AGNI-Seal in 100mm CLT Wall Up to 8 TPS Cables in a bundle FRR -/60/60



Technical Information

Substrate	Min. 100mm CLT wall
Service	Up to 8 x TPS cable bundle
Annular gap	10.34mm - 12.73mm
AGNI-Products	AGNI-Seal
Protection installation	Both sides of the wall

Compliance Information

Standards	AS1530.4-2014, AS4072.1-2005
FRR/FRL	-/60/60
Reference	PF24086



Agnitek
FIRE RATED TECHNOLOGY

8 Clare St Bayswater
VIC 3153, AUSTRALIA
www.agnitek.com.au

Disclaimer

Agnitek reserves the right to modify product specifications without prior notice due to its ongoing research, development & certification programme. The information in this document is provided in good faith and is intended for guidance purposes only. Any accompanying drawings are solely for illustrative purposes. Since Agnitek cannot oversee installation methods or ensure site conditions, no warranties, expressed or implied, are intended regarding the products' actual performance. We do not accept liability for any loss, damage, or injury from using this information. Please take a look at the test reports displayed on a relevant AGNI-System webpage for all compliance specifics.

Date	30.08.2024
------	------------